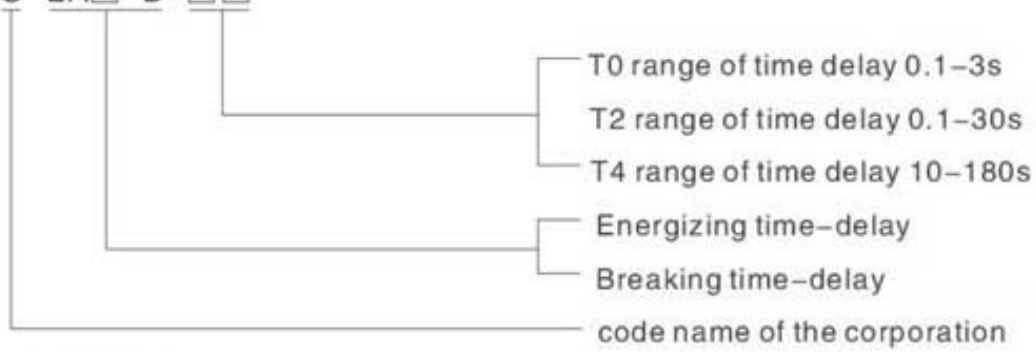




● air time –delay type and meaning

S-LA□-D □□



Type	Range of time delay	Qty.of time delay contact
S-LA2-DT0	0.1~3s	NO+NC
S-LA2-DT2	0.1~30s	
S-LA2-DT4	10~180s	
S-LA3-DR0	0.1~3s	
S-LA3-DR2	0.1~30s	
S-LA3-DR4	10~180s	