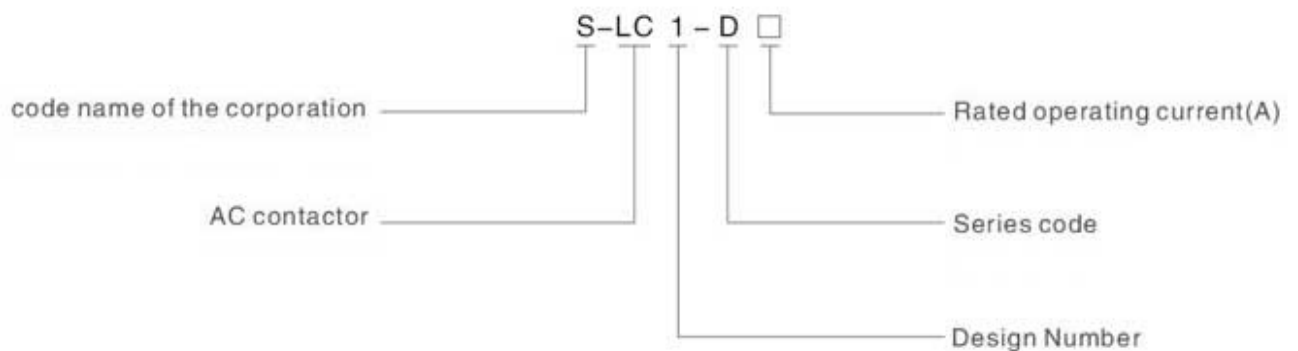


● Application

S-LC1 series AC contactor (simplified as contactor in the following) is suitable for using in the circuits up to the rated voltage 660V AC 50Hz or 60Hz, rated current 95A, for making and breaking and frequent starting, controlling the AC motor. Combined with the auxiliary contact group, air delayer, machine interlocking device etc, it is combined into the delay contactor, mechanical interlocking contactor, dtar-delta starter, with the thermal relay, it is combined into the electromagnetic starter.

● Type and meaning



● Specifications

Type		S-LC1-D09	S-LC1-D12	S-LC1-D18	S-LC1-D25	S-LC1-D32	S-LC1-D40	S-LC1-D50	S-LC1-D63	S-LC1-D80	S-LC1-D95
Rated insulatio voltage		660	660	660	660	660	660	660	660	660	660
Conventional thermal current		25	25	32	40	50	60	80	80	125	125
AC3Rated operational current		9	12	16	25	32	40	50	63	80	95
Controlled power (kW)	220V	2.2	3	4	5.5	7.5	11	15	18.5	22	25
	380V	4	5.5	7.5	11	15	18.5	22	30	37	45
	415V	4	5.5	9	11	15	22	25	37	45	45
	440V	4	5.5	9	11	15	22	30	37	45	45
	660V	5.5	7.5	10	15	18.5	30	33	37	45	45
Note		The installation of the relays can use two screws and also use the 35mm installation rail					The installation of the relays can use three screws and also use the 75mm or 35mm installation rail				

Note:3P:Three No main contacts,No:one No auxilliary conacts,NC:One NC auxilliary contacts

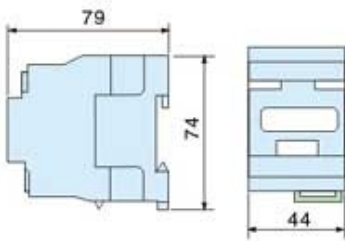
● Specification of coil

Type		S-LC1-D09	S-LC1-D12	S-LC1-D18	S-LC1-D25	S-LC1-D32	S-LC1-D40	S-LC1-D50	S-LC1-D63	S-LC1-D80	S-LC1-D95	
50/60Hz(V) Closing voltage		(0.85~1.1)Us										
50/60Hz(V) Releasing voltage		(0.2~0.75)Us										
Coil power	50Hz	Closing	70	70	110	110	110	200	200	200	200	200
		Closed	8	8	11	11	11	20	20	20	20	20
	60Hz	Closing	80	80	115	115	115	200	200	200	200	200
		Closed	8	8	11	11	11	20	20	20	20	20
	Consumption		1.8~2.7	1.8~2.7	3~4	3~4	3~4	6~10	6~10	6~10	6~10	6~10

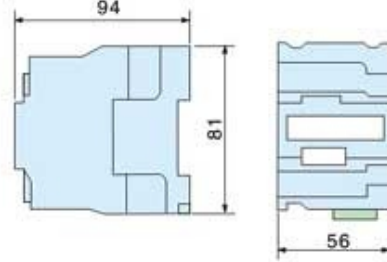
● Outline & Mounting size

Outline size

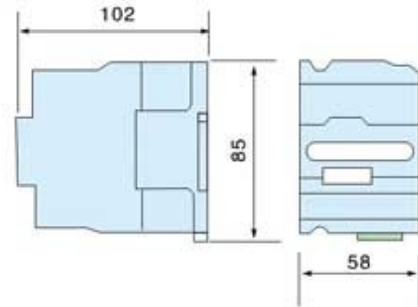
S-LC1-D09,12



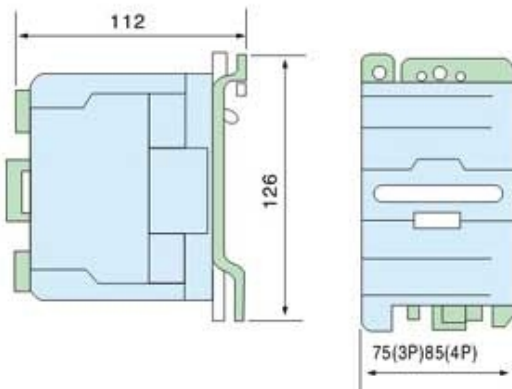
S-LC1-D18,25



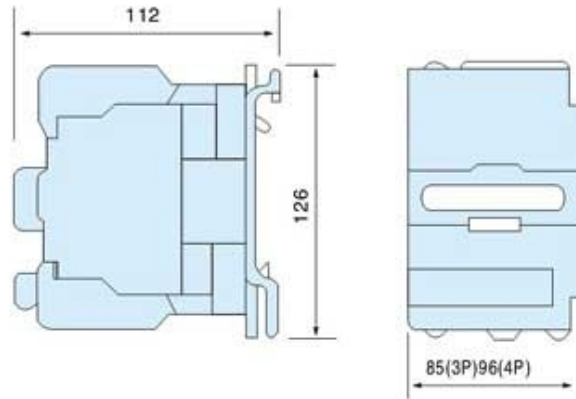
S-LC1-D32



S-LC1-D40,50,63

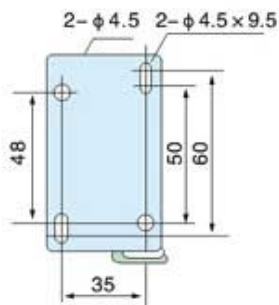


S-LC1-D80,95

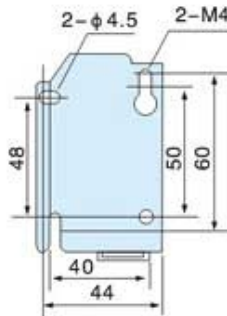


Mounting size

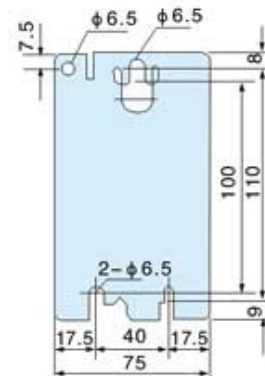
S-LC1-D09,12



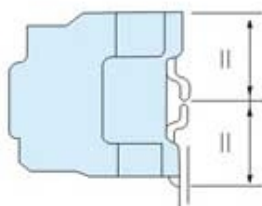
S-LC1-D18-32



S-LC1-D40-95



S-LC1-D09-32用卡轨安装35mm标准安装轨



S-LC1-D40-95用卡轨安装35mm标准安装轨

