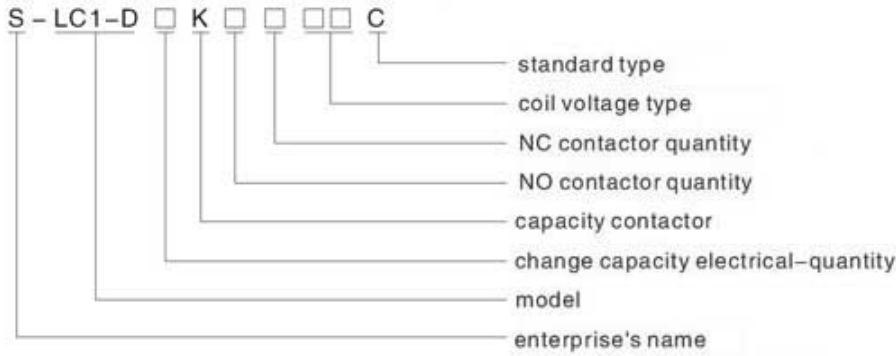


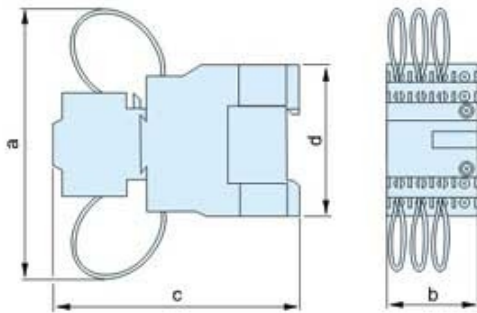


● model and its meaning



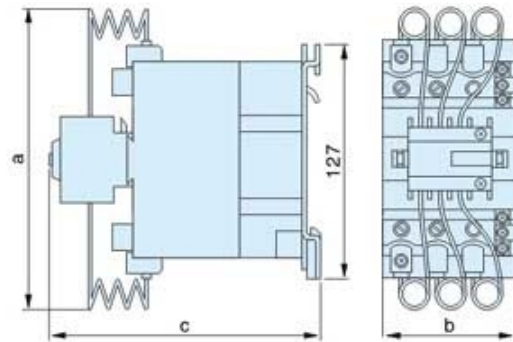
● Outline & mounting size

S-LC1-DGK, DMK



S-LC1-	a	b	c	d
DGK	130	45	135	74
DMK	140	56	135	84

S-LC1-DPK, DTK, DWK



S-LC1-	a	b	c
DPK	180	75	150
DTK	180	75	150
DWK	200	85	157

● model

**special contactor**

S-LC1-D\*K special contactor is designed for changing three-phase single-pole or multi-pole capacitor group, it is in accordance with IEC-70 and 831、NFC54-100、VDE0560、UL and CSA.

● The application of contactor


The contactor would limit the largest current into 60In through one junction module and restrained resistance inserted in advance, it heightens product's endurance by means of limiting switch-on current. The patent design of attached module guarantees use safety and long endurance.

**Work condition**

The choke inductance device is not needed for single-pole or multi-pole capacitor group. Conducting short protection must need gG fuse, and the rated value is 1.7...2In.

**The largest operation power**

Under following work condition, operator should conduct selection according to power value.

The anticipation climax current of switch-on time			S-LC1-D*K		200In	
The largest operation frequency (time/hour)			S-LC1-DGK,DMK,DPK		240	
			S-LC1-DTK,DWK		100	
Electric endurance (10000 times )			S-LC1-DGK,DMK,DPK,DTK,DWK		400V 30	
					690V 20	
(operation power) 50/60Hz			auxiliary junction		cable whirl-tightly torsion	basic model
220V	400V	660V				include control voltage
240V	440V	690V				
<b>kVAR</b>	<b>kVAR</b>	<b>kVAR</b>	N/O	N/C	N.m	
8.5	16.7	24	1	1	1.7	S-LC1-DGK11**C
			-	2	1.7	S-LC1-DGK02**C
15	25	36	1	1	2.5	S-LC1-DMK11**C
			-	2	2.5	S-LC1-DMK02**C
20	33.3	48	1	2	5	S-LC1-DPK12**C
25	40	58	1	2	5	S-LC1-DTK12**C
40	60	92	1	2	9	S-LC1-DWK12**C
control voltage						
V	24	110	220	380		
50/60Hz	B7	F7	M7	Q7		