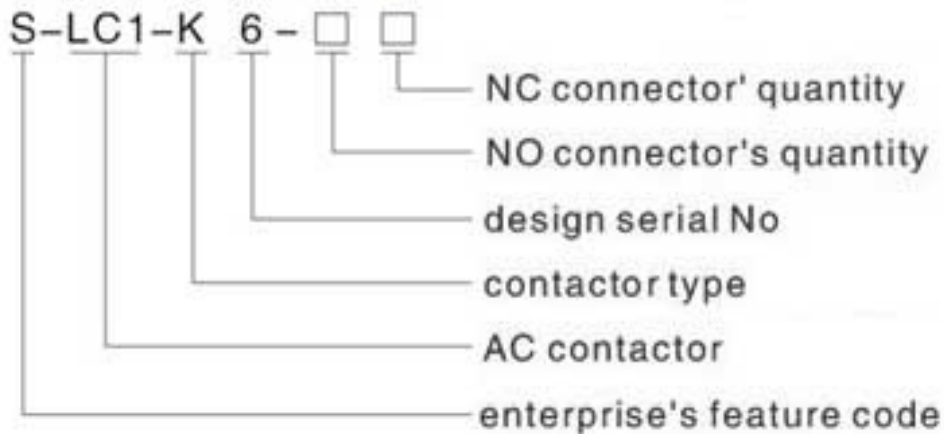




● model and its meaning



● Application range:

S-LC1-K series AC contactor (contactor) is mainly applied to circuit that AC50Hz or 60Hz, voltage being or below 690V、DC voltage being or below 220V, it is used for controlling various electromagnetic coil and signal amplifying or sending signal to related control components.

● Normal work condition and installation condition

- 1、surrounding air temperature: $-5^{\circ}\text{C}\sim+40^{\circ}\text{C}$, the average temperature within 24 hours shouldn't exceed $+35^{\circ}\text{C}$.
- 2、altitude: below 2000m
- 3、air condition: when the highest temperature is $+40^{\circ}\text{C}$, the comparative humidity of air couldn't exceed 50%, the temperature lower, the comparative humidity is permitted to be higher, for example, when it is 20°C , the humidity could be 90%. Operator should take special measures for the dew resulted from temperature's changing.
- 4、pollution grade: 3 grade
- 5、installation type: II and III category
- 6、installation condition: the slope between installation surface and vertical surface couldn't exceed $\pm 30^{\circ}\text{C}$;
- 7、shock and vibration: the product should be used and installed at certain place without any shock、vibration etc.

Main data and technique performance

- 1、contactor's classification
 - a. in the light of connector's on-or-off (read form 1)
 - b. in the light of coil's rated control power voltage:
 - AC: 50Hz, 24V, 36V, 48V, 110V, 127V, 220V, 380V;
- 2、motion characteristics:
 - Charge voltage: 85%~110Us
 - Discharge voltage: 20%~75Us.
- 3、the contactor could be installed with connector module; its combination situation read (form 2)
- 4、the main technique performance index of contactor read (form 3)

model	S-LC1-K40	S-LC1-K31	S-LC1-K22
NO connector's quantity	4	3	2
NC connector' quantity	0	1	2

(form) 2

model	S-LC1-K40	S-LC1-K31	S-LC1-K22	S-LC1-K13	S-LC1-K04	S-LC1-K20	S-LC1-K11	S-LC1-K02
NO connector's quantity	4	3	2	1	0	2	1	0
NC connector' quantity	0	1	2	3	4	0	1	2

(form) 3

use type	AC-15		DC-13
rated work voltage(V)	380/400	660/690	220/230
rated work current(A)	0.95/0.9	0.52	0.15/0.14
preset heating current(A)	10	10	10
rated control capacity	360VA	360VA	33W
operation circulation times of one hour h-1	electric endurance	1200	1200
	mechanical endurance	3600	3600
ten-thousand times	100	100	100
ten-thousand times	1000	1000	1000
matching fuse's model	RT16-10	RT16-10	RT16-10
coil's power-consumption	charge	30	30
	keep	4.5	4.5
quantity	1		
lead mm ²	2.5		
wiring screw's specification	M3		
tightening torsion Nm	0.5		

● Configuration feature:

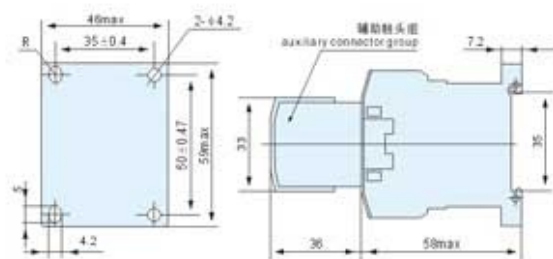
- 1、the contactor owns many advantages as advanced configuration, small volume, light weight, small consumption, long endurance, safe and reliable, advanced technique performance index etc;
- 2、besides using screw, during contactor's installation, the 35mm standard guide also could be used for its installation.
- 3、The motion direction of relay's iron-core and connector should be paralleled with installation surface.

Order notice:

during order, user should pay attention to the details stated below :

- 1、the complete name and model of contactor
- 2、the rated work voltage and frequency, specification code of coil (read form 4)
- 3、order quantity
- 4、the connector module is not provided during product's ex-factory, so user should mark out separately in order process;
- 5、if need to order standard guide, user should mark out separately.

● outline and installation dimension



(form) 4

power frequency Hz	the rated voltage of control power (V)						
	24	36	48	110	127	220	380
50	B5	C5	E5	F5	G5	M5	Q5
60	B6	C6	E6	F6	G6	M6	Q6
50/60	B7	C7	E7	F7	G7	M7	Q7