

## Bi-directional Triode Thyristor



### Comparison:

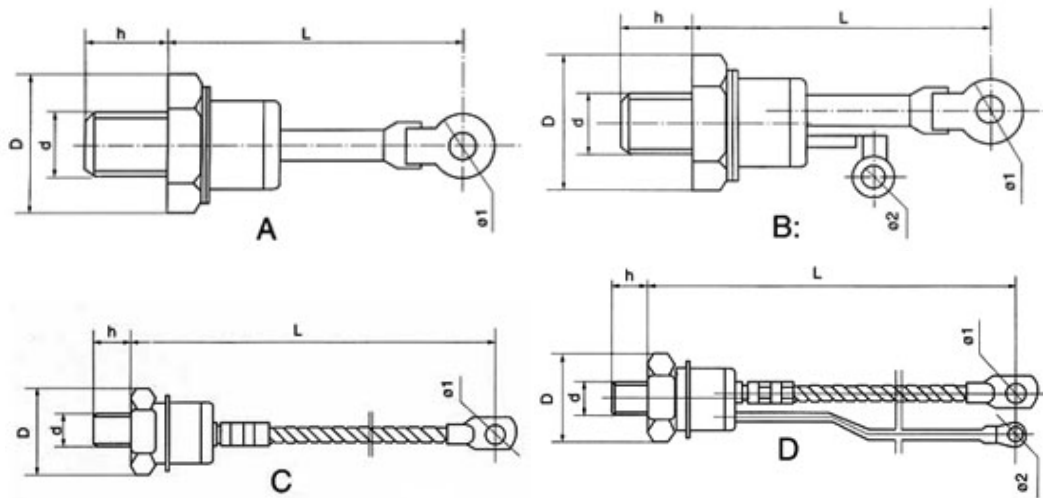
- $I_T(AV)=5-500A$
- $V_{DRM}/V_{RRM}=100-2000V$
- Hermetic metal case with ceramic insulator
- Hermetic glass-metal seal
- Conform to partial national standard GB4193-1986
- In accordance with IEC international electrical committee standard

### Typical applications

- Quickspeed motor control
- Thermal control
- AC switch

**Specification:**

Model	$I_{T(RMS)}$ A	$V_{TM}$ V	$V_{RRM}$ V	$I_{RRM}$ mA	$I_{GT}$ mA	$I_H$ mA	$V_{GT}$ V	dv/dt V/us	di/dt A/us	$R_{JC}$ °C/w	Weight G	Outline (fig.)
KS5A	5	2.6	100-2000	≤ 30	≤ 350	≤ 250	≤ 3.5	≥ 500	≥ 10	≤ 0.11	10	B1
KS10A	10										25	B2
KS20A	20										27	B3
KS30A	30										110	D2
KS50A	50										130	D3
KS100A	100	165	D4									
KS200A	200	335	D5									



Outline	Dimension(mm)					
	d	D	L	h	1	2
B1	6	16	31	9	3	2
B2	8	22	41	12	4	2
B3	10	22	41	12	4	2
D1	10	27	190	13	5	4
D2	12	32	177	13	6.5	4
D3	12	34	179	13	6.5	4
D4	16	34	180	16	8	4
D5	20	45	220	20	10	4