

Standard Rectifier Diodes



Comparison:

- $I_F(AV)=5-500A$
- $V_{RRM}=100-5000V$
- Hermetic metal case with ceramic insulator
- Hermetic glass-metal seal
- Conform to partial national standard JB/T8949.2-1999
- Capacity of supporting high surge current
- Stud cathode and stud anode version

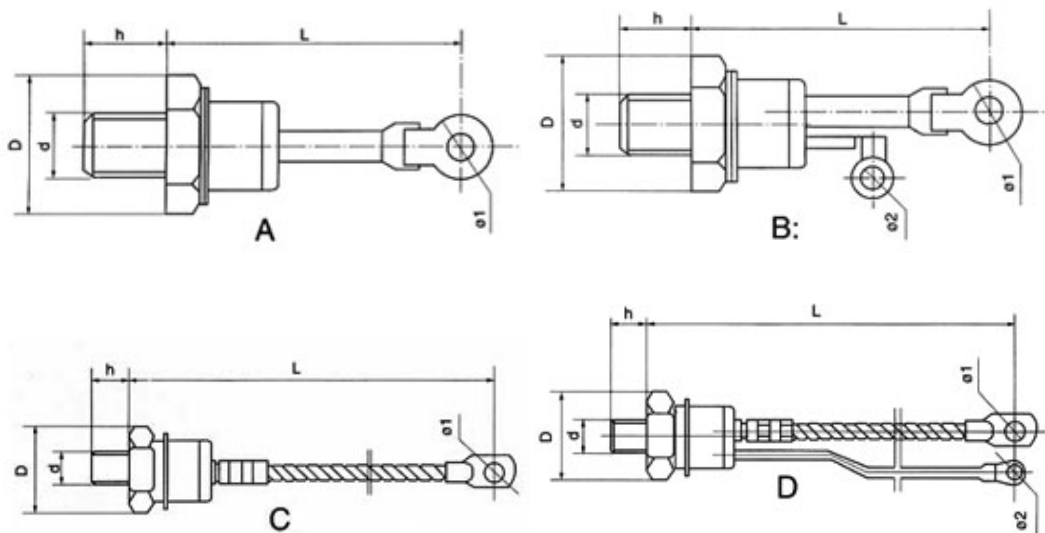
Typical applications

- AC/DC converters
- DC power supplies
- Machine tool controls

Technical parameter:

Model	$I_{F(AV)}$	I_{FRSM}	V_{FM}	V_{RRM}	I_{RRM}	R_{JC}	T_j	Weight	Outline (fig.)
	A	A	V	V	mA	°C/w	°C/w		
ZP5A	5	7.9	≤ 1.6	100-5000	≤ 2	≤ 4	-40~150	10	A1
ZP10A	10	16	≤ 1.6	100-5000	≤ 2	≤ 2.5	-40~150	25	A2
ZP20A	20	31	≤ 1.6	100-5000	≤ 6	≤ 1.4	-40~150	27	A3/C1
ZP30A	30	47	≤ 1.6	100-5000	≤ 6	≤ 1	-40~150	110	C2
ZP50A	50	79	≤ 1.6	100-5000	≤ 12	≤ 0.6	-40~150	140	C3
ZP100A	100	160	≤ 1.8	100-5000	≤ 12	≤ 0.3	-40~150	205	C4
ZP200A	200	310	≤ 1.8	100-5000	≤ 12	≤ 0.2	-40~150	325	C5
ZP300A	300	470	≤ 1.8	100-5000	≤ 15	≤ 0.11	-40~150	470	C6
ZP500A	500	630	≤ 1.8	100-5000	≤ 15	≤ 0.068	-40~150	925	C7

Outline Dimension:



Outline	Dimension(mm)					
	d	D	L	h	1	2
A1	6	16	31	9	3	2
A2	8	22	41	12	4	2
A3	10	22	41	12	4	2
C1	10	27	190	13	5	4
C2	12	32	177	13	6.5	4
C3	12	34	179	13	6.5	4
C4	16	34	180	16	8	4
C5	20	45	220	20	10	4
C6	20	45	240	20	12	4
C7	30	57	350	30	15	4